

JVC 1010

AX-330BK

449

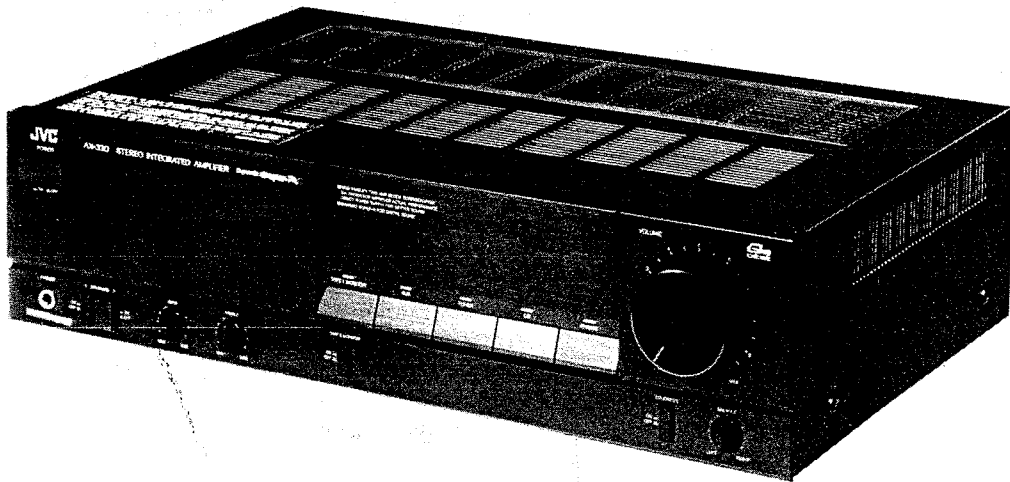
JVC

SERVICE MANUAL

STEREO INTEGRATED AMPLIFIER

MODEL No. **AX-330BK**

82101

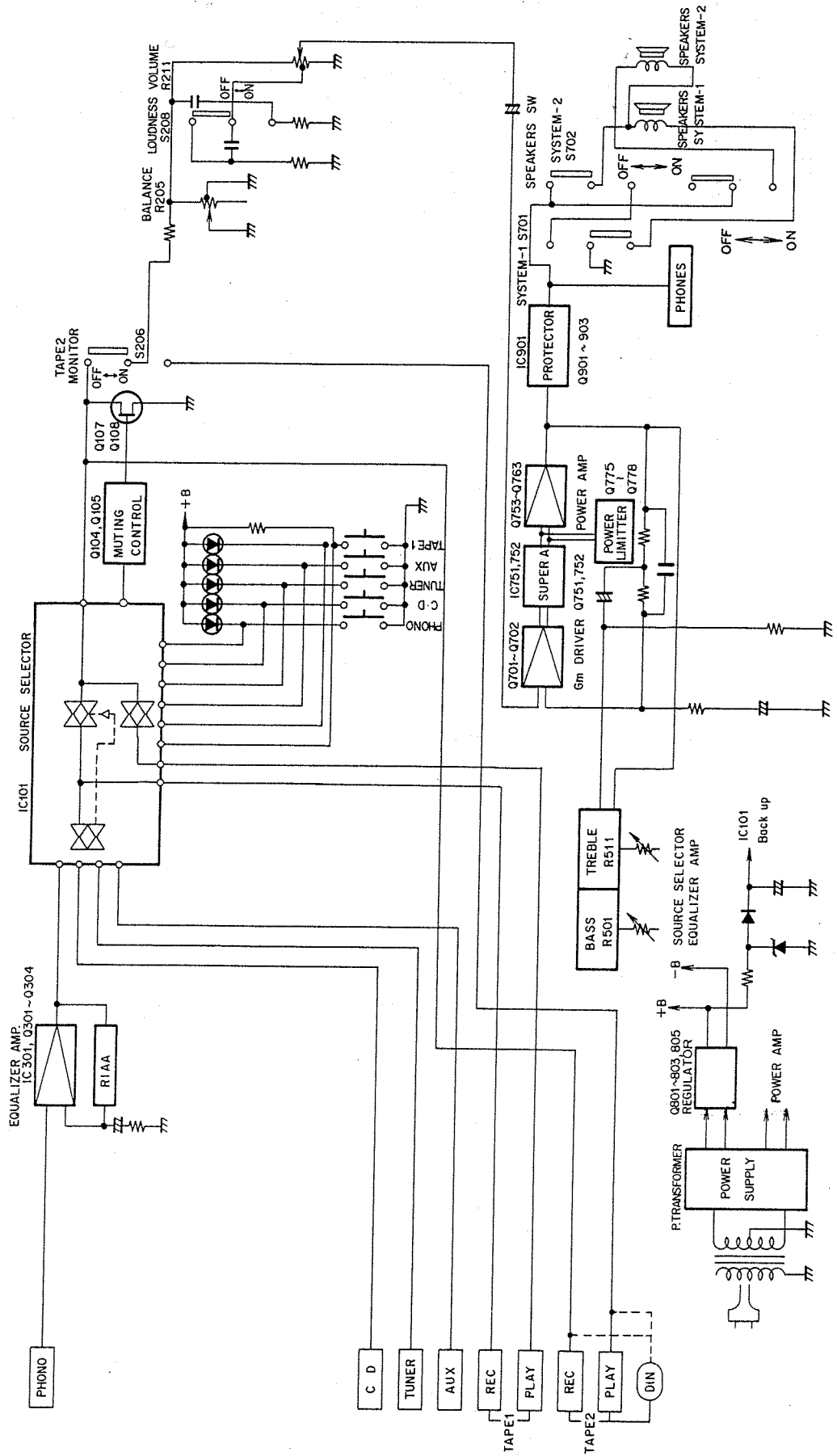


Contents

	Page		Page
Safety Precautions	1-2	Adjustment Procedures.....	1-8
Front Panel	1-3	Schematic Diagram.....	Insertion
Operation.....	1-4	Connection Diagram.....	Insertion
Specifications.....	1-5	Parts List	Separate Volume Insertion
Block Diagram	1-6	Internal Block Diagrams of ICs	1-9
Removal Procedures.....	1-7		


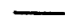

No. 2975
 Feb. 1987
 449

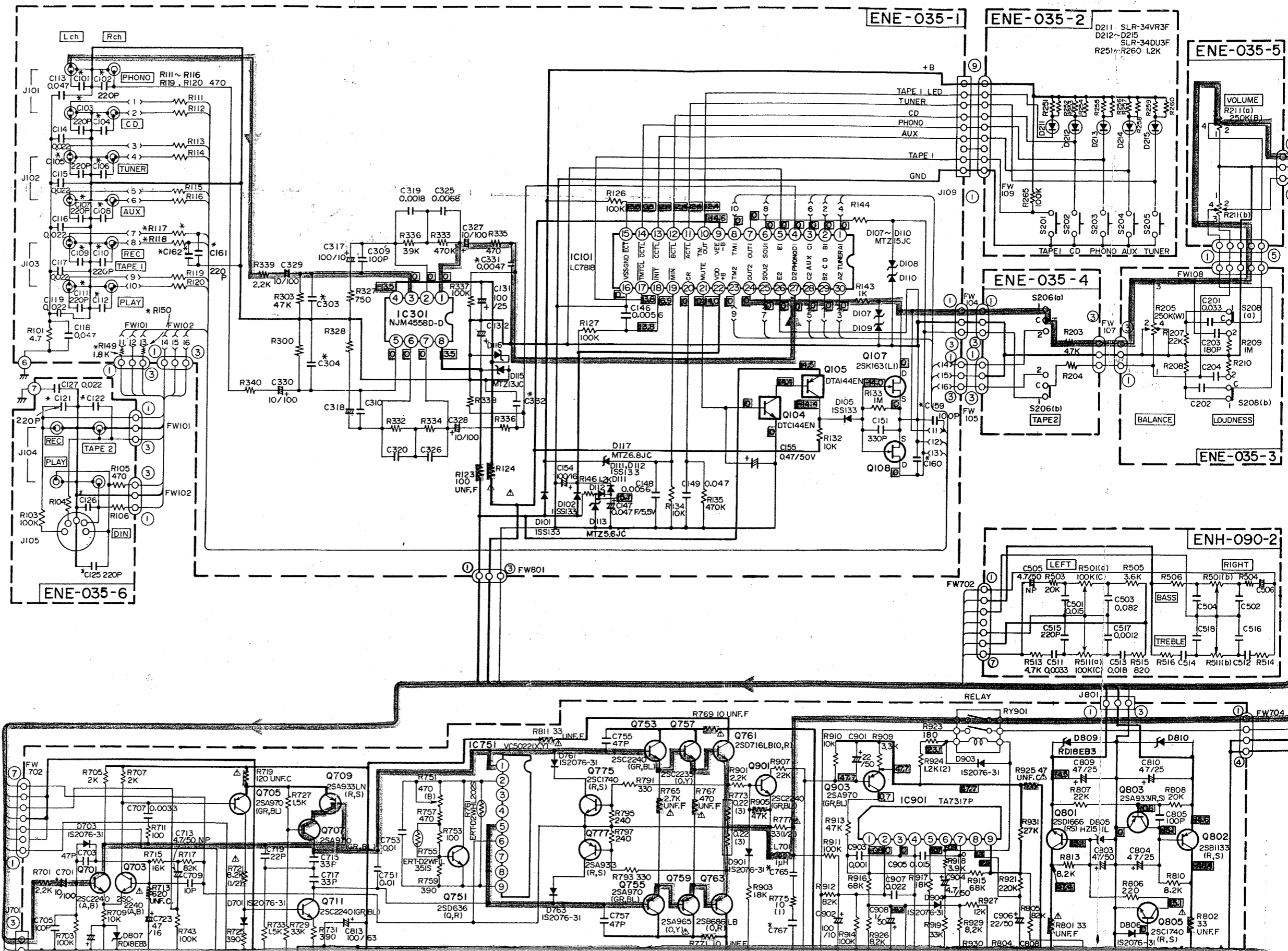
Block Diagram






Schematic Diagram


Notes:

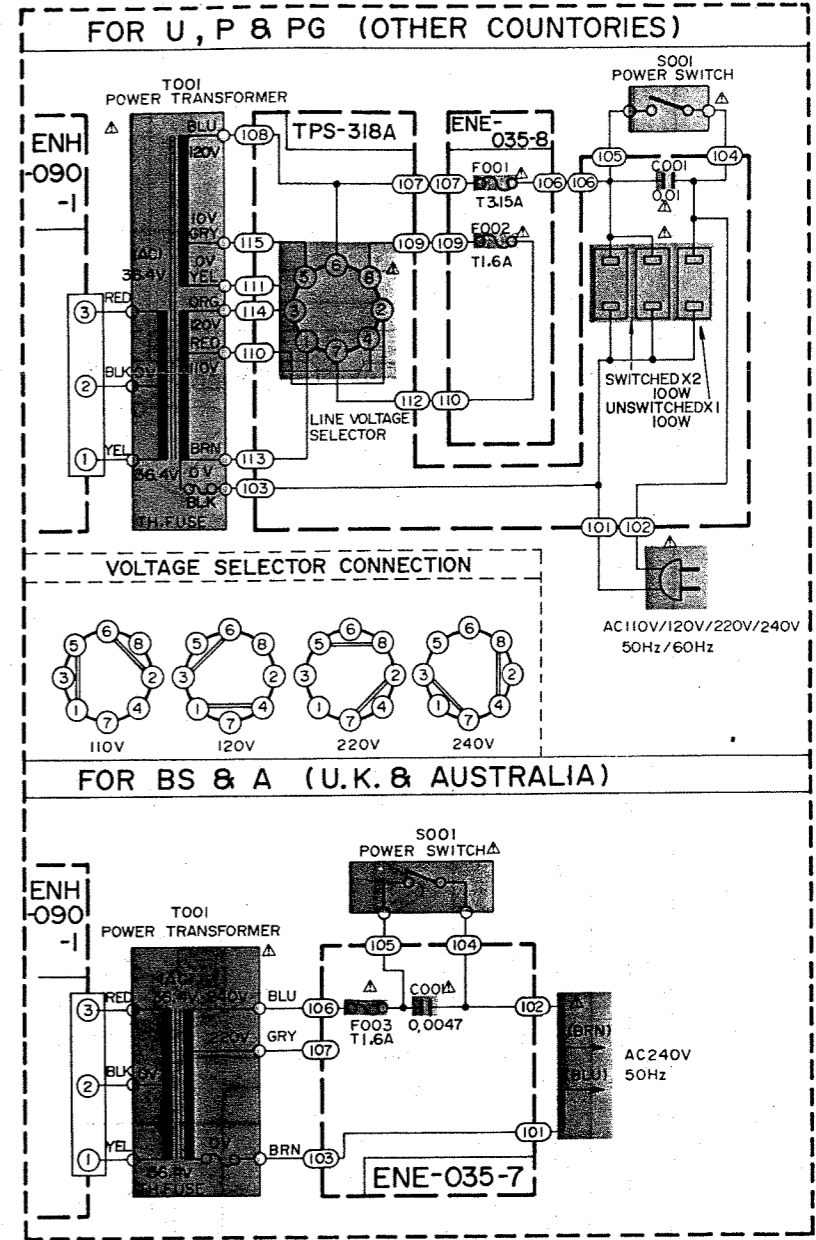
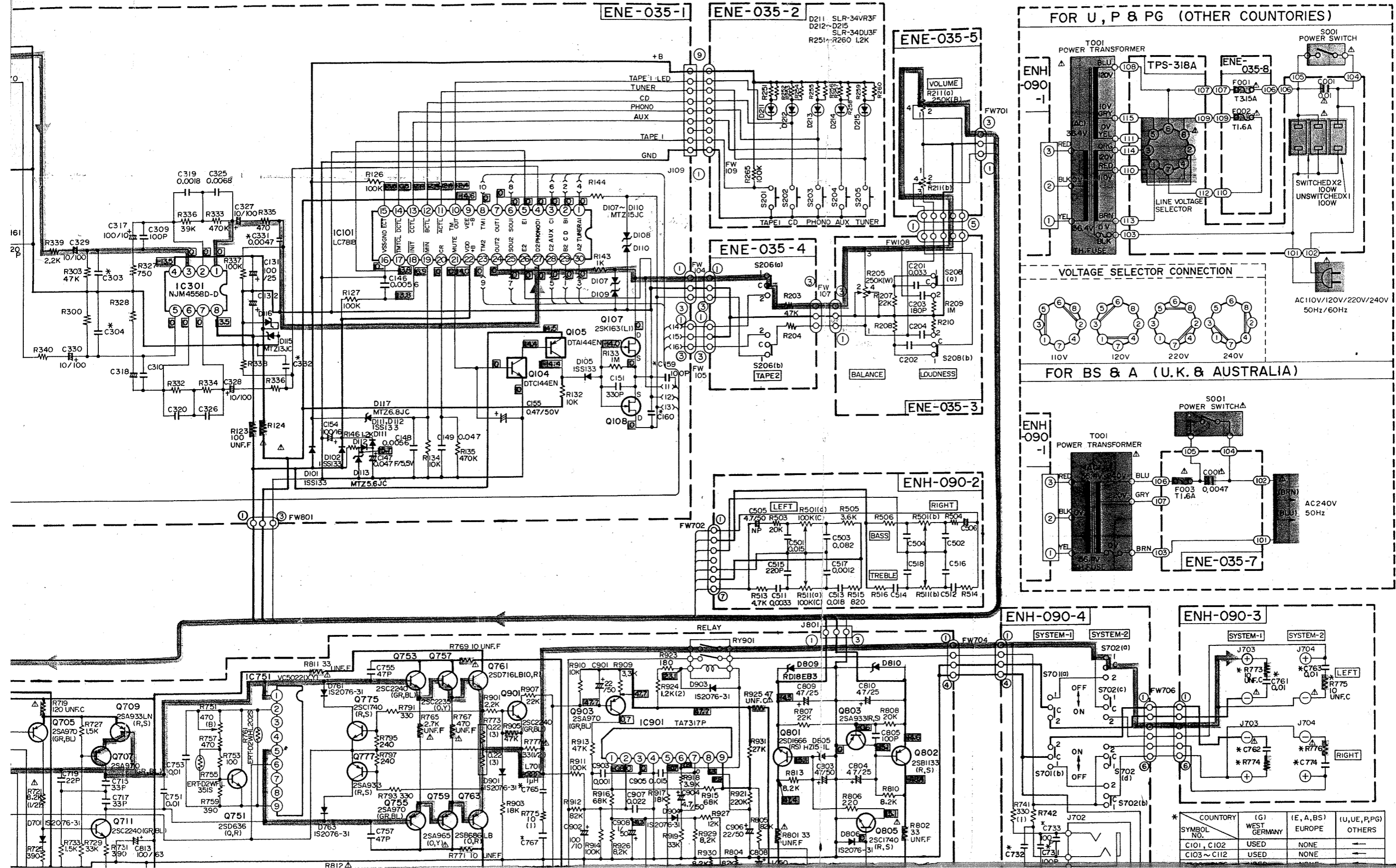
1.  shows DC voltage to the chassis with no signal input.
2.  indicates ± B power supply.
3.  indicates signal path.



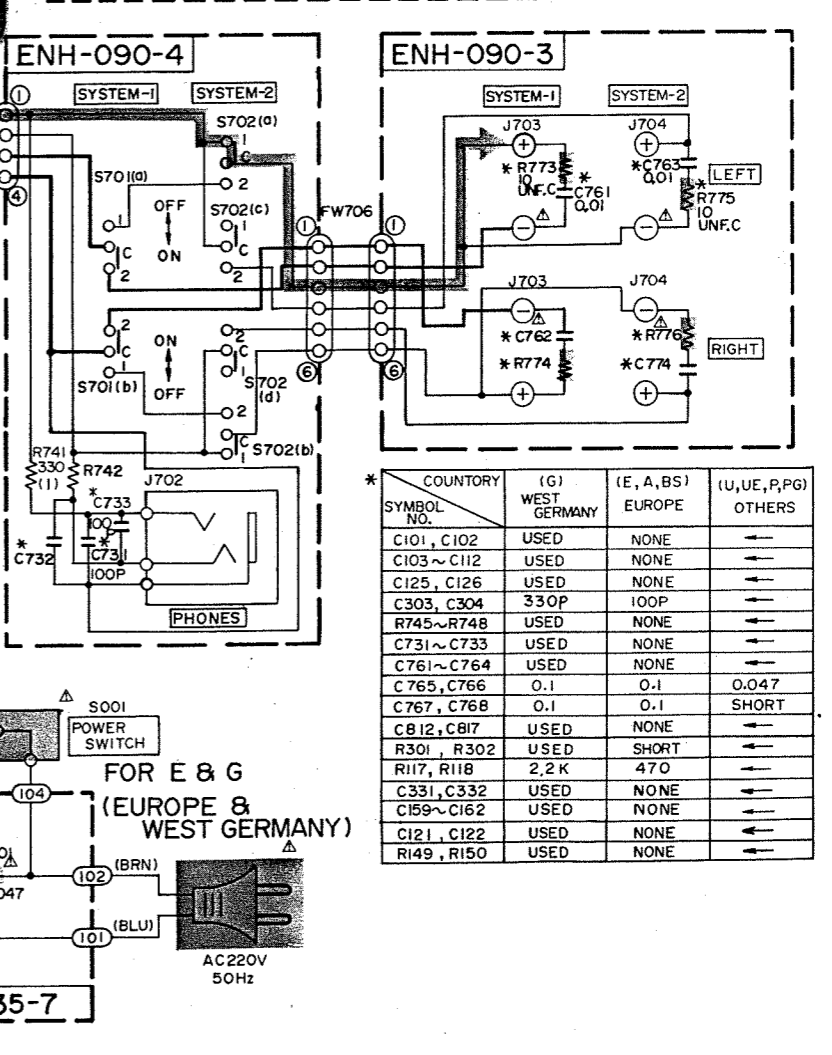
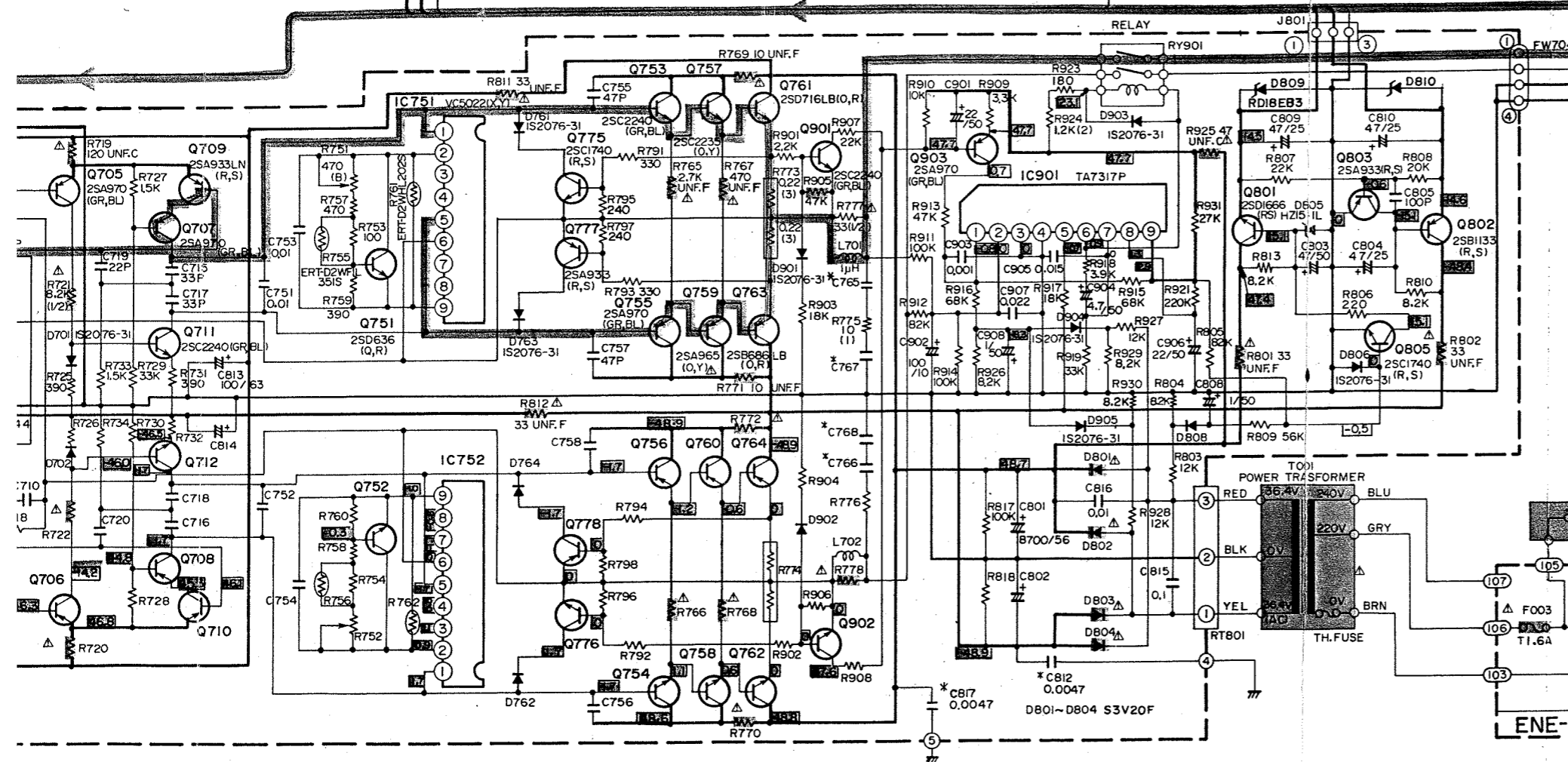
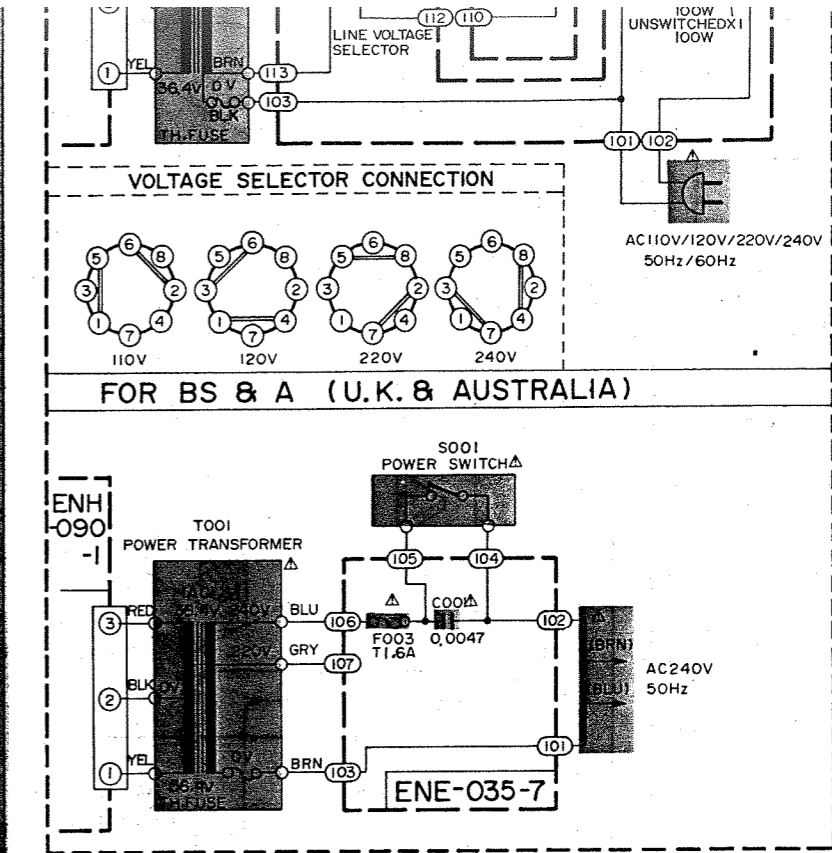
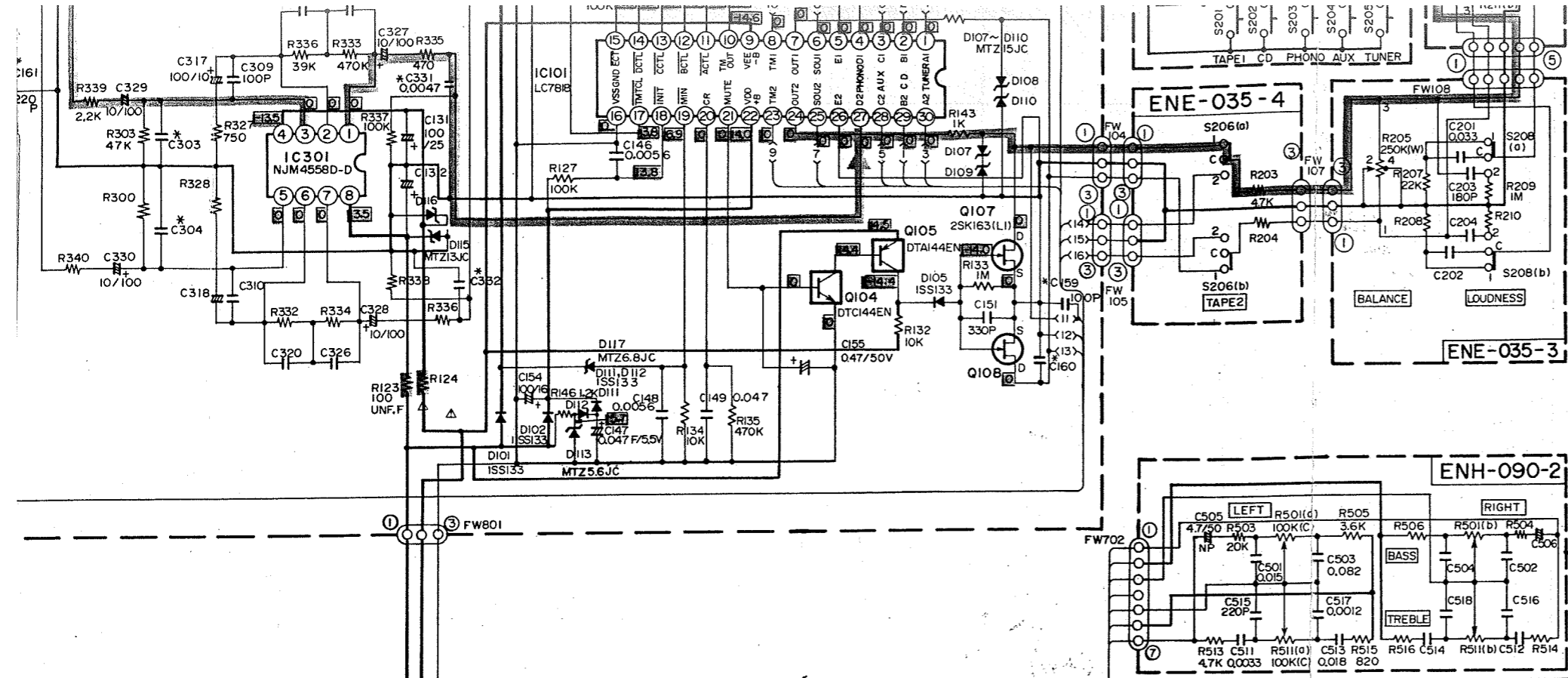
Notes:

1.  shows DC voltage to the chassis with no signal input.
2.  indicates \pm B power supply.
3.  indicates signal path.

4. When replacing the parts in the darkened area () and those marked with Δ , be sure to use the designated parts to ensure safety.
5. This is the standard circuit diagram.
The design and contents are subject to change without notice.



SYMBOL NO.	COUNTRY			
	(G) WEST GERMANY	(E, A, BS) EUROPE	(U, U, P, PG) OTHERS	
C101, C102	USED	NONE	---	
C103 ~ C112	USED	NONE	---	



COUNTRY	(G) WEST GERMANY	(E, A, BS) EUROPE	(U, UE, P, PG) OTHERS
C101, C102	USED	NONE	---
C103 ~ C112	USED	NONE	---
C125, C126	USED	NONE	---
C303, C304	330P	100P	---
R745 ~ R748	USED	NONE	---
C731 ~ C733	USED	NONE	---
C761 ~ C764	USED	NONE	---
C765, C766	0.1	0.1	0.047
C767, C768	0.1	0.1	SHORT
C812, C817	USED	NONE	---
R301, R302	USED	SHORT	---
R117, R118	2.2K	470	---
C331, C332	USED	NONE	---
C159 ~ C162	USED	NONE	---
C121, C122	USED	NONE	---
R149, R150	USED	NONE	---

Sum 449

